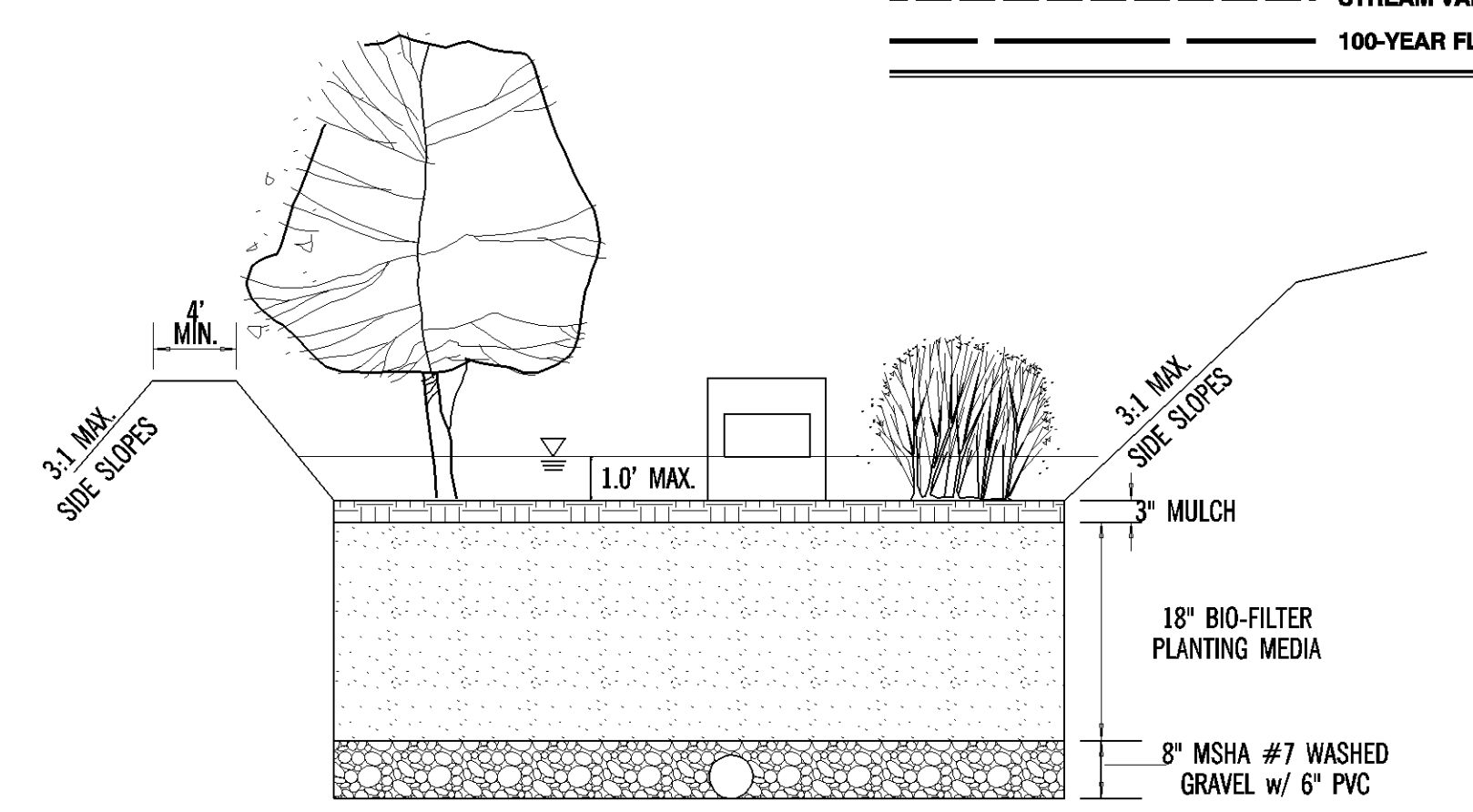
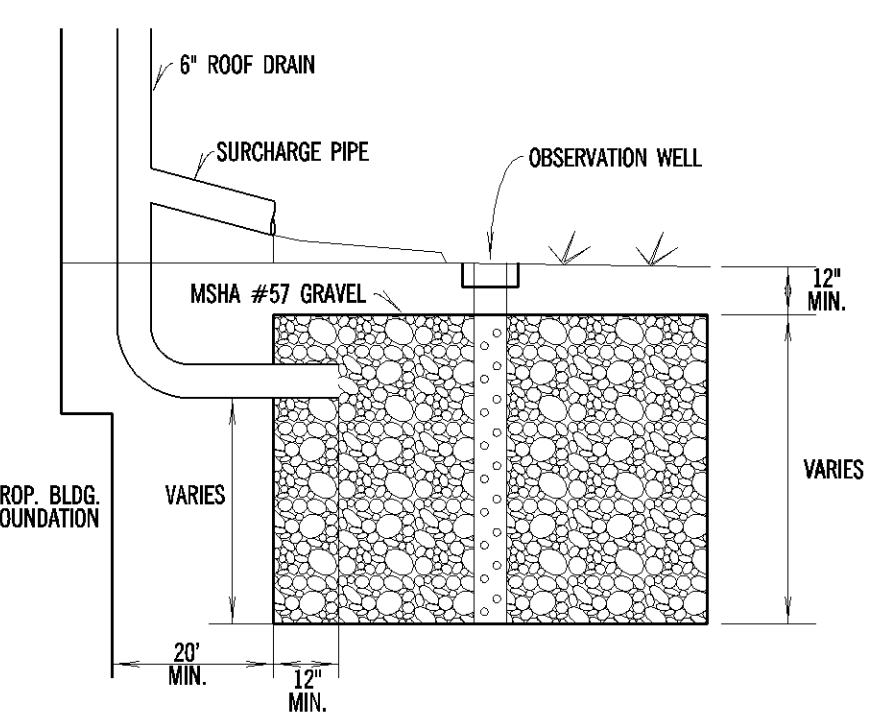


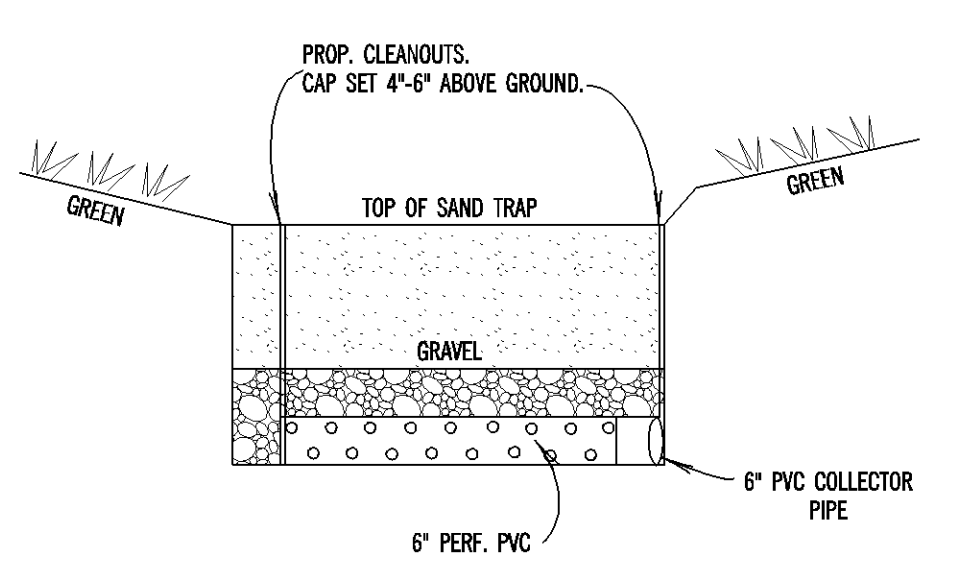
- LEGEND**
- EXISTING DRAINAGE DIVIDE
  - - - PROPOSED DRAINAGE DIVIDE
  - EXISTING FLOW PATH
  - ▶▶▶▶▶ DEVELOPED FLOW PATH
  - EXISTING STORM DRAIN
  - PROPOSED STORM DRAIN
  - HYDROLOGIC SOIL GROUP
  - SOIL TYPE BOUNDARY
  - EXISTING POND
  - STREAM VALLEY BUFFER
  - 100-YEAR FLOODPLAIN



**TYPICAL CROSS-SECTION THROUGH BIO-FILTER**  
NOT TO SCALE



**ROOF DRAIN DRY WELL DETAIL WITH STANDARD OUTFALL**  
NOT TO SCALE



**WATER QUALITY WITHIN SAND TRAP (TYPICAL)**  
NOT TO SCALE

**DRAFT**

100 50 0 100 200  
SCALE: 1"=100'

BEFORE BEGINNING CONSTRUCTION CONTACT  
**"MISS UTILITY"**  
AT  
**1-800-257-7777**  
AT LEAST 48 HOURS PRIOR TO EXCAVATION

APPLICANT:  
MONTGOMERY COUNTY REVENUE AUTHORITY  
101 MONROE STREET  
ROCKVILLE, MARYLAND 20850  
PHONE #:  
ATTN: MR. KEITH MILLER, PCA

No.	REVISION	DATE	BY

**GREENHORNE & O'MARA**  
CONSULTING ENGINEERS  
20410 CENTURY BOULEVARD, SUITE 200, GERMANTOWN, MARYLAND 20874  
PHONE: (301) 444-8282 FAX: (301) 444-8181  
www.g-and-o.com  
FLORIDA • GEORGIA • MARYLAND • NORTH CAROLINA • PENNSYLVANIA • VIRGINIA • WEST VIRGINIA

STORMWATER CONCEPT PLAN  
**SLIGO CREEK GOLF LEARNING CENTER**  
13th ELECTION DISTRICT  
MONTGOMERY COUNTY, MARYLAND

KWC DESIGN	SCALE	1" = 100'
MAD DRAWN	1 OF 1	
CHECKED	SHEET	
NOV. 2007 DATE	071732 PROJ No.	R-0000-W FILE No.

DATE: 02/28/2007 09:41:07 071732-01.DWG PLS - 1/07/07 071732-01.DWG 01.plt TEL: #1301401000 FAX: #1301401000